



4700 W. 160th St.
Cleveland, OH 44135
PH:800-321-9532
FX:800-321-9535
www.oatey.com

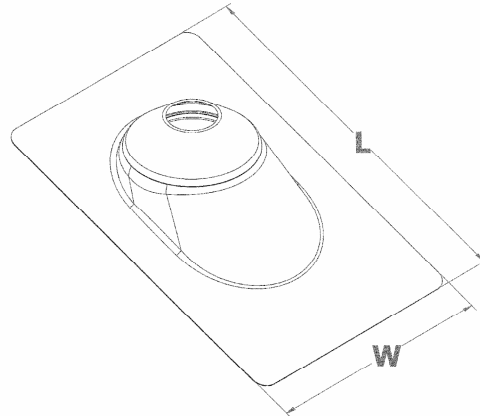
TECHNICAL SPECIFICATION

**ALL-FLASH® NO-CALK®
COLOR-FLASH®
ROOF FLASHINGS**



Engineering Specification: Oatey All-Flash No-Calk Roof Flashings can be used in commercial and residential applications where a watertight seal for roof penetrations around the plumbing vent pipe is required.

Job Reference



(All dimensions in inches)

- ◆ Plastic Base Roof Flashing slides over DWV pipe for pitch to 45°
- ◆ Metal Base Roof Flashing slides over DWV pipe for pitch to 40°
- ◆ Patented All-Flash collar has tear-away ring allowing flashing to seal different pipe diameters
- ◆ Plastic base flashings are made of rigid thermoplastic
- ◆ Aluminum base flashings are made of .032 stamped aluminum
- ◆ Galvanized base flashings are made of 24 gauge galvanized steel
- ◆ Non-fading sealing collar
- ◆ Approved for Type B installations
- ◆ Not for hot-mopped or built-up roofs
- ◆ Do not use paint or petroleum based products on plastic bases or rubber collars

✓	Product No.	Description	Length (L)	Width (W)	PACK	CARTON WEIGHT
	12944	1-1/2" – 3" Aluminum Roof Flashing – Brown	14-1/2	11	12	7 lbs.
	12943	1-1/2" – 3" Aluminum Roof Flashing – Black	14-1/2	11	12	7 lbs.
	12942	1-1/2" – 3" Aluminum Roof Flashing – Gray	14-1/2	11	12	7 lbs.
	11872	1-1/2" – 3" Galvanized Roof Flashing – Brown	14-1/2	11	12	7 lbs.
	11873	1-1/2" – 3" Galvanized Roof Flashing – Black	14-1/2	11	12	7 lbs.
	11874	1-1/2" – 3" Galvanized Roof Flashing – Gray	14-1/2	11	12	7 lbs.
	12955	3" – 4" Aluminum Roof Flashing – Brown	15-1/2	12	12	13 lbs.
	12954	3" – 4" Aluminum Roof Flashing – Black	15-1/2	12	12	13 lbs.
	12953	3" – 4" Aluminum Roof Flashing – Gray	15-1/2	12	12	13 lbs.
	11875	3" – 4" Galvanized Roof Flashing – Brown	15-1/2	12	12	13 lbs.
	11876	3" – 4" Galvanized Roof Flashing – Black	15-1/2	12	12	13 lbs.
	11878	3" – 4" Galvanized Roof Flashing – Gray	15-1/2	12	12	13 lbs.



Data is subject to manufacturing tolerances.