



2 or 3-Function Switch

Control 2 or 3 devices while only taking up 1 switch location

FSR-500 FSR-600

2-Function • 3-Function
Rocker Switch

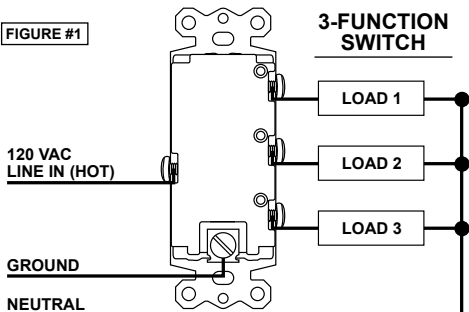
ENGLISH LANGUAGE MANUAL

Go To Research
Technologies, Inc.
Seattle, WA, USA

For 2-function units: Connect wires per either the FIGURE #2 wiring diagram (two single pole switches on the same circuit) or the FIGURE #3 wiring diagram (two single pole switches on separate circuits). With either method, each single pole switch controls an independent function.
NOTE: For separate feed (FIGURE #3) operation only: The break-off tab located between the black screws should be removed before wiring. Using a standard slotted screwdriver, move the screwdriver up and down in the vertical direction until the tab breaks off.

5. ATTACH SWITCH PLATE

Fasten the switch plate to the rocker switch using the short matching color screws.



3

(A.) SAFETY WARNINGS

WARNING

ALL ELECTRICAL WORK MUST BE DONE IN ACCORDANCE WITH LOCAL CODES, ORDINANCES, OR NATIONAL ELECTRICAL CODE AS APPLICABLE. **FOR SAFETY, THIS PRODUCT MUST BE INSTALLED IN A GROUNDED SWITCH BOX.** IF YOU ARE UNFAMILIAR WITH METHODS OF INSTALLING ELECTRICAL WIRING, SECURE THE SERVICES OF A QUALIFIED ELECTRICIAN.

Turn off power before installing or wiring this product and test that the power is off.

Use this rocker switch only with copper or copper-clad wire. Do not use aluminum wire with this device.

WARNING

To prevent serious injury from electrical shock or damage to electrical components - **DO NOT WIRE HOT!** Turn off power breaker to this switch.

Total load for the multi-rocker switch is rated at 15 AMPS, @ 120 VAC.

Do not exceed maximum electrical ratings.

Warranty is void if miswired.

(B.) INSTALLATION STEPS

1. WARNING

To avoid fire or electrical shock, turn OFF power at circuit breaker or fuse. Test that the power is OFF before working.

2. MOUNT THE SWITCH BOX

Install a 2 1/2 inch deep single-gang switch box or a 2 inch deep double-gang switch box.

3. CONNECT WIRING

General instructions for all configurations: Make sure both the switch box and the appliance are properly grounded.

Make sure ground wire is securely fastened to rocker switch's ground screw. Tighten ground screw 14 to 16-in. lbs. torque.

Remove insulation, approx. 5/8 inch. Use proper wire nut sizes for number and size of wires.

For push-in terminals: Use #14-AWG solid copper wire only.

For screw terminals: Use #12 or #14-AWG solid copper wire only. Tighten screw terminals 14 to 16 inch lbs. torque.

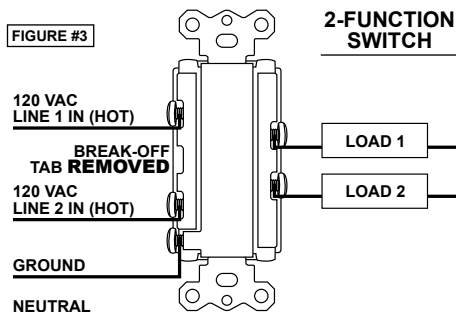
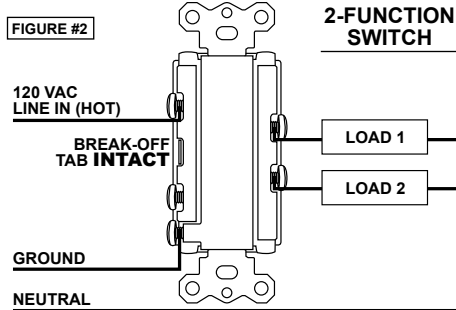
4. MOUNT ROCKER SWITCH IN SWITCH BOX

Tuck wires into switch box and fasten the rocker switch to box using attached screws.

For 3-function units: Strip wires to length of strip gauge on the back of the switch. Connect wires per the FIGURE #1 wiring diagram.

1

2



4

5

(C.) TWO-YEAR LIMITED WARRANTY

Go To Research Technologies, Inc. (GTR) warrants to the original consumer purchaser of its products that such products will be free from defects in materials & workmanship for a period of two years from the date of original purchase. There are no other warranties, express or implied, including but not limited to, implied warranties of merchantability or fitness for a particular purpose. During this two-year period, GTR will, at its option, repair or replace, without charge, any product or part which is found to be defective under normal use & service. This warranty does not extend to fluorescent lamp starters & tubes. This warranty does not cover (a) normal maintenance & service or (b) any maintenance or repair, faulty installation or installation contrary to recommended installation instructions. The duration of any implied warranty is limited to the two-year period as specified for the express warranty. Some areas do not allow limitation on how long an implied warranty lasts, so the above limitation may not apply to you. GTR's obligation to repair or replace, at GTR's option, shall be the purchaser's sole & exclusive remedy under this warranty. GTR shall not be liable for incidental, consequential, or special damages arising out of or in connection with product use or performance. Some areas do not allow the exclusion or limitation of incidental or consequential damages, so the above limitation may not apply to you. This warranty gives you specific legal rights, & you may also have other rights, which vary from area to area. This warranty supersedes all prior warranties. To qualify for warranty service, you must (a) notify GTR at the address stated below or via our website at www.DewStop.com, (b) give the model number & part number identification, & (c) describe the nature or any defect in the product or part. At the time of requesting warranty service, you must present evidence of the original purchase date.

Go To Research Technologies, Inc.
www.DewStop.com